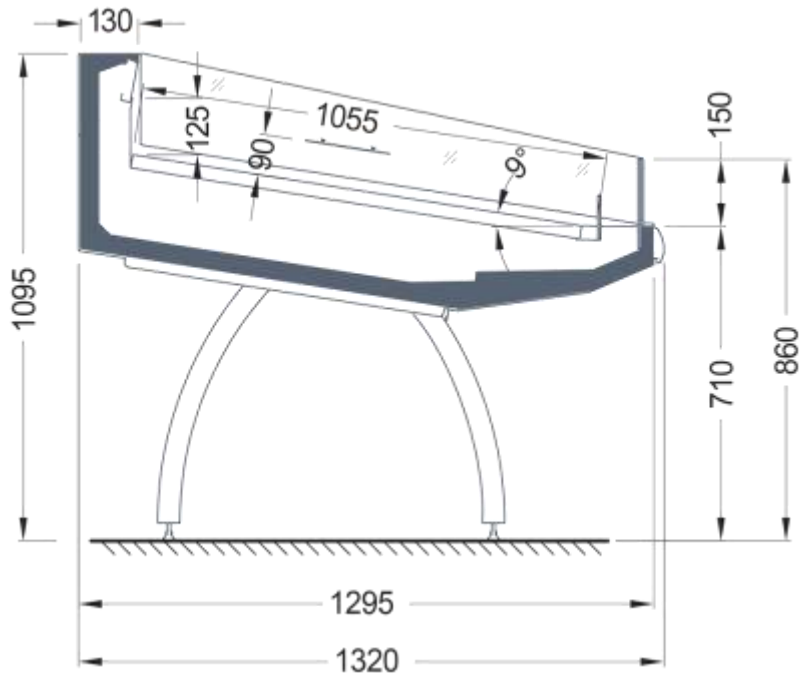


M1



MODULES 1.25 1.875 2.5 3.75



- Internal & External finish – Stainless Steel
- Natural Defrosting
- EC Fans
- Manual Night Blind
- Electronic controller
- Front bumper – Boston
- Sloped presentation deck

