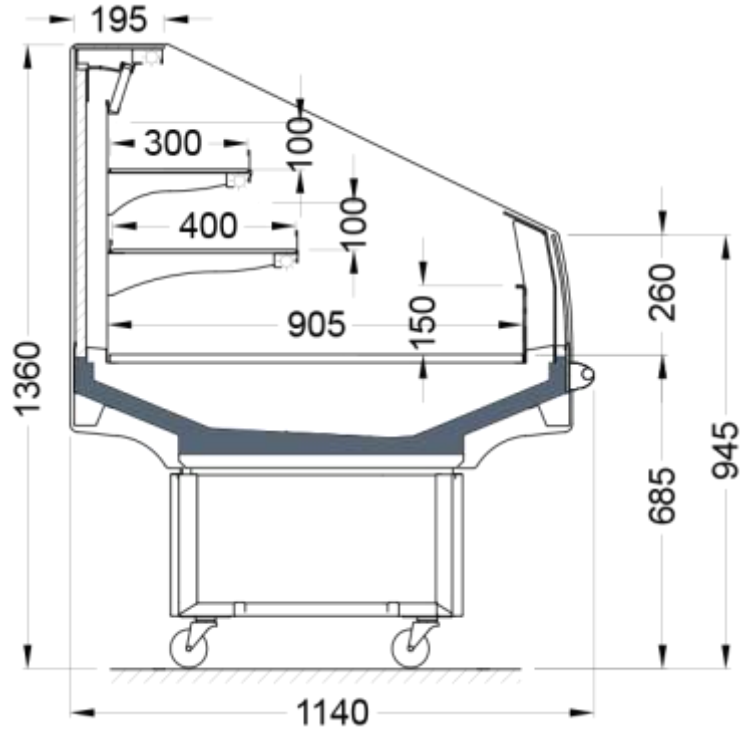


M1



MODULES 1.25



- Maintenance free condenser
- Stainless steel bumper bar
- Castors
- 2no. shelves
- Internal & external colours – RAL 9006
- Controller with temperature indicator
- Automatic evaporation of condensate
- Electrical defrosting